

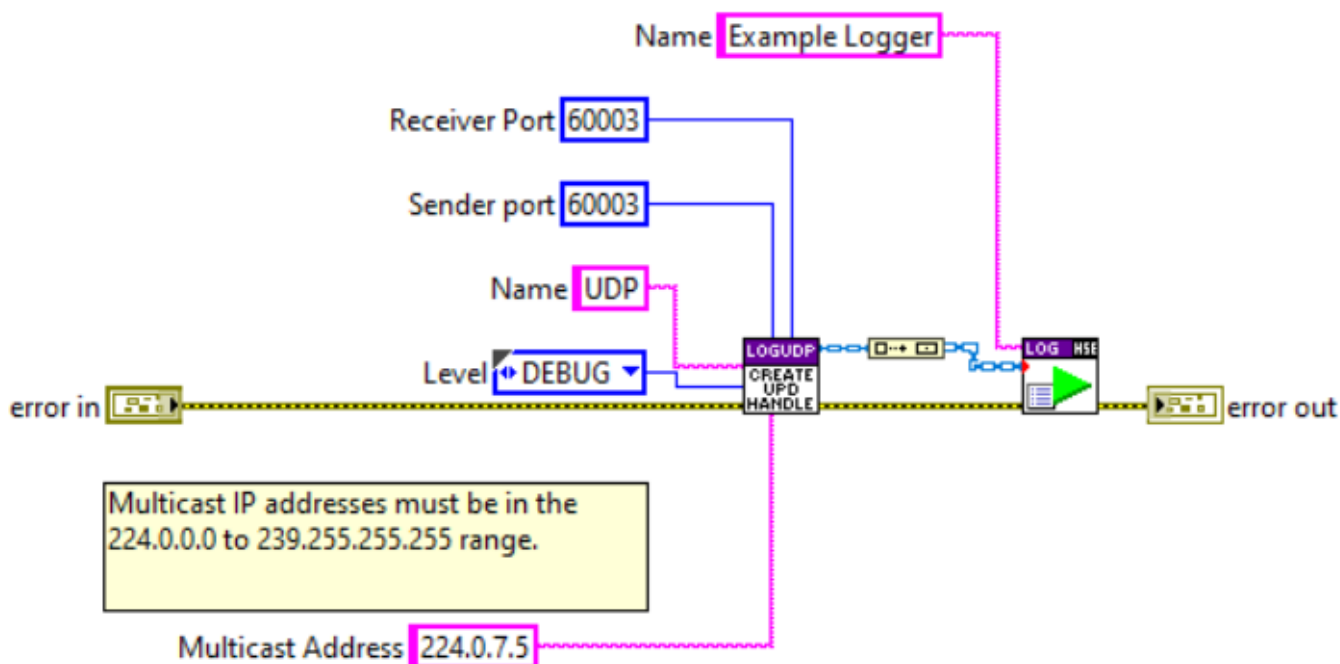
# UDP Handler

## Installation

Copy UDP Handler source code from the [repository](#) into the project or use the [latest Log UDP Handler release](#)

## Initialization

Create a UDP Log Handler before you initiate logging.



From: <https://dokuwiki.hampel-soft.com/> - **HAMPEL SOFTWARE ENGINEERING**

Permanent link: [https://dokuwiki.hampel-soft.com/code/commercial/hse-logger\\_extensions/udp-handler](https://dokuwiki.hampel-soft.com/code/commercial/hse-logger_extensions/udp-handler)

Last update: **2024/06/04 12:11**

